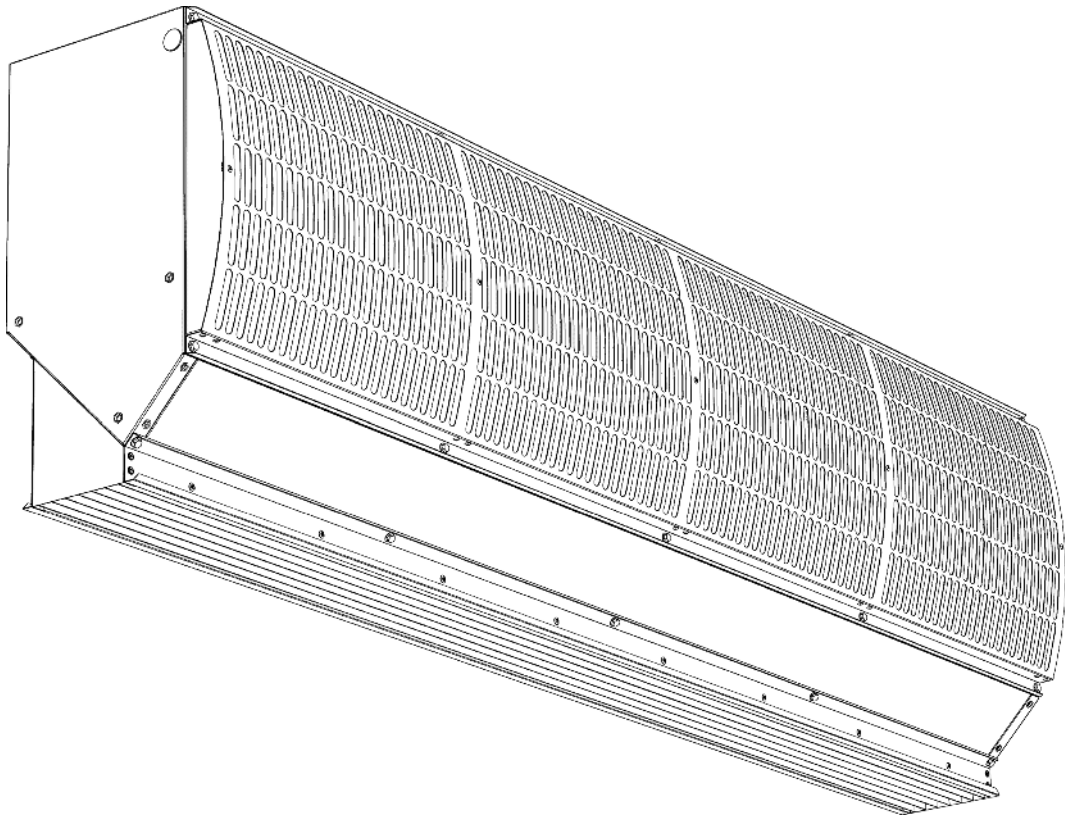


Manual

Cold room air curtain

Model IsolAir



Version 1.1
Original Manual

English



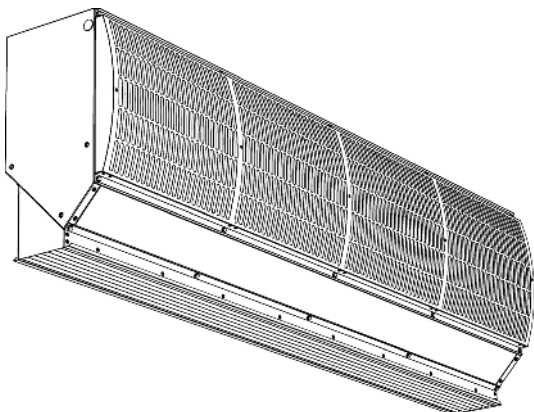
biddle

. . . Contents

1	Introduction	3
	1.1 About this manual	3
	1.2 How to read this manual	3
	1.3 About the unit	4
	1.4 Components and accessories	7
	1.5 Safety instructions	8
2	Installation	9
	2.1 Safety instructions	9
	2.2 Inspection on delivery	9
	2.3 General working method	10
	2.4 Hanging the unit up	11
	2.5 Installing the control box	15
	2.6 Installing external controls	18
	2.7 Connecting the mains supply	20
	2.8 Finishing the unit	22
	2.9 Switching on and checking operation	22
3	Operation	23
	3.1 General	23
4	Errors	24
	4.1 Resolving simple problems	24
5	Maintenance	25
	5.1 Cleaning the unit	25
	5.2 Scheduled maintenance	25
6	Service	26
	6.1 Safety instructions	26
	6.2 Replacing a fan box	26
	6.3 Fuses	28
	6.4 Adjusting modes	28
7	Dismantling	31
8	Addresses	33
	Keywords	35

1 . . Introduction

1.1 About this manual



This manual describes the installation, operation and maintenance of the the cold storage unit air curtain model IsolAir. The manual also provides instructions and information for servicing activities.

1.2 How to read this manual

1.2.1 Designations used in the manual

The following symbols are used in the manual:



Note:
Refers to an important section in the text.



Caution:
If you do not carry out the procedure or action correctly, you may cause damage to the unit.

Follow the instructions precisely.



Warning:
If you do not carry out the procedure or action correctly, you may cause physical injury and/or damage.

Follow the instructions precisely.



Danger:
Is used to designate actions that are not permitted.

Ignoring this prohibition may lead to serious damage or to accidents resulting in physical injury.

1.2.2 Symbols used on the unit and in the manual

The following symbols indicate possible risks or hazards. The same symbols will also be found on the unit.

SYMBOL	DESCRIPTION
	<p>You have accessed a section of the unit with components carrying a voltage.</p> <p>Access restricted to qualified maintenance staff only.</p> <p>Caution is required.</p>

1.2.3 Related documentation

In addition to this manual, the following documentation is also supplied with the unit:

- wiring diagram for installation and servicing.

1.3 About the unit

1.3.1 Applications

The air curtain model IsoAir is intended for the separation of climates between two rooms. The unit is installed above the doorway, across its full width. The model is primarily suitable for applications in cold-storage and deep-freeze units.

Other versions and intended use.

Upon request, we can supply versions for non-standard applications.



Warning:

Applications other than those described above are deemed to be 'usage other than for the intended purpose'. Biddle is not liable for damage or loss resulting from usage other than for the intended purpose. Usage for the intended purpose also entails observance of the instructions in this manual.

1.3.2 Operation

The air curtain blows out a stream of air straight downwards and thereby achieves the following:

- The exchange of air between two rooms due to a temperature difference (convection) is stopped.

Depending on the setting of the air curtain, the unit can also blow out unheated air.

1.3.3 Type designation

The table below provides an overview of the available models of the cold room air curtain and the corresponding type designations. In combination, the type designations constitute the type code, for instance: IsolAir I50.

If some part of the manual applies to certain models only, these will be indicated with the corresponding type designation, for example:

- I50: models with discharge width 150



Explanation of the type code

TYPE CODE ELEMENT	DESIGNATION	MEANING
product series	IsolAir	general designation for the IsolAir series
length	150, 200 or 250	discharge length in cm

I.3.4 Type plate

The type plate is located on the top of the unit.

Example of a type plate

 Biddle bv Marrewijk 4 NL-9200 HA Kraaijeveld 	Type	IsoAir 150		
	Code		U	230V ~ 50 Hz
	N°	5172001/1-1 06-36	I _{max} L1	1,7 A
			I _{max} L2	-
	M	74 kg	I _{max} L3	-
	Medium	-	P _{rated}	0,37 kW
D _{max}	-	P _{maxing}	-	

Designations on the type plate

DESIGNATION	MEANING
Type	complete type code of the unit
M	weight of unit
U	power supply voltage
I _{max}	max. current
P _{motor}	max. power consumption by fans

I.3.5 Field of application

Observe the following limits for the unit:

Operating limits for all models

Ambient conditions	Temperature	5 °C to 40°C
	Relative air humidity	20% - 95%, not condensing
Power supply voltage		see type plate
Power		see type plate



Warning:

The air curtain may not be used in potentially explosive environments.

Biddle shall not be held liable for damage caused by use under these conditions.

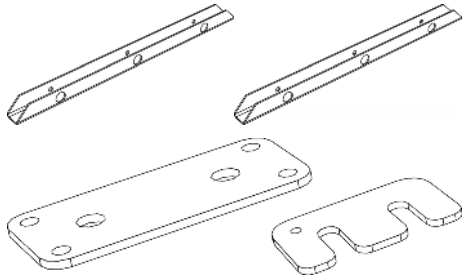
I.3.6 CE declaration

The unit is compliant with the applicable CE standards. The complete CE Declaration of Conformity can be found at: www.biddle.info

I.3.7 Modifications and changes

Without the approval of Biddle, no changes or modifications may be made to the unit that could adversely affect safety. The CE declaration is no longer valid if the unit has been modified or changed in any way.

I.4 Components and accessories



I.4.1 Components supplied

- suspension rails (2 per unit), also used for fixing the unit to the pallet
- coupling plate and bracket for coupling the units:
- operating package:
 - control box
 - door contact switch
 - room thermostat (optional)



Note:

For delivery purposes, some components may be packed within the unit (behind the inspection panel).

I.4.2 Accessories

- plastic side shields;

I.4.3 Components not supplied

The following components required for installation must be obtained from third parties:

- threaded rods (M8)
- other cabling
- isolation switch

1.5 Safety instructions

1.5.1 Safety in use



Warning:

Do not put any objects into the inlets and outlets.



Warning:

Do not obstruct the unit's inlets or outlets.

1.5.2 Safety issues relating to installation, maintenance and servicing



Danger:

The unit may only be opened by qualified technical staff.



Warning:

Perform the following actions before opening the unit:



1. Switch the unit off using the control panel.
2. Wait until the fans have stopped.



Danger:

The fans may continue rotating for a while.

3. Disconnect the mains supply (set the isolation switch to OFF).

2 . . Installation

2.1 Safety instructions



Warning:

Installation activities may only be performed by technical staff qualified for this purpose.



Warning:

Before starting installation: read the safety instructions.

See also:

1.5 "Safety instructions" on page 8

2.2 Inspection on delivery

- Check the unit and the packaging to ensure they have been delivered in good order. Notify the driver and the supplier immediately if any shipping damage is detected.
- Ensure that all components are present. Notify supplier of any missing parts immediately.

See also:

1.4 "Components and accessories" on page 7

2.3 General working method

2.3.1 Sequence of operations

Biddle recommends working as follows when installing the unit:

1. Hang the unit up.
2. Install the control box.
3. Install any applicable external controls.
4. Connect the unit to the mains supply.



Caution:

Make sure that the unit's power supply voltage matches the local mains voltage.

The unit's power supply voltage is displayed on the type plate.

5. Complete the installation of the unit.
6. Switch the mains supply on and check that the unit is working properly.

2.3.2 General instructions

Some parts of this section only apply to certain models. Where this is the case, it will be indicated. If no specific model is referred to, then the description applies to all models.



Note:

Make sure that you perform all installation operations that are applicable to your unit.

Check the type plate and consult the manual if in doubt about the model or type of your unit.



Note:

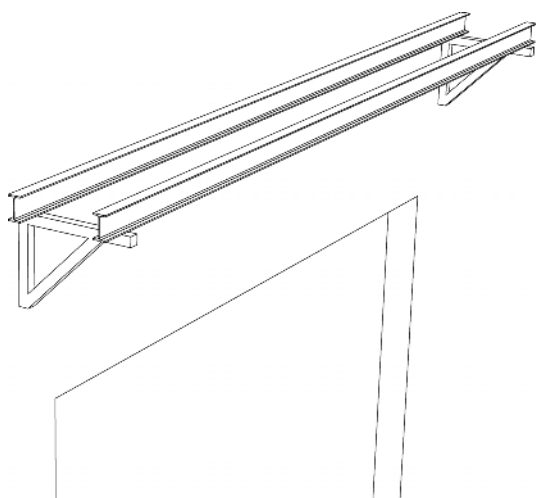
During the installation period, protect the unit against damage and penetration of dust, cement, etc.. You can, for instance, use the packaging for protection.

See also:

- 1.3.3 "Type designation" on page 5
- 1.3.4 "Type plate" on page 6

2.4 Hanging the unit up

Example of an auxiliary structure



2.4.1 Suspension method

This manual assumes suspension from an auxiliary structure, consisting of two horizontal beams positioned above the door.

You may also fix the units directly to the ceiling, or to another horizontal structure, using the screw holes in the upper side of the unit.



Warning:
Make sure that the structure from which the unit is about to be suspended can bear at least 4 times the weight of the unit.

See also:

1.3.4 "Type plate" on page 6

2.4.2 Determine the location of the unit

- The unit should preferably be placed in the room where the temperature is highest.
- Position the underside of the unit at the same height as the top of the doorway.
- Position the discharge side of the unit as close to the doorway as possible, to ensure optimum operation.



Note:
If the distance is greater than 5 cm., you are advised to seal off the openings at the side. For this purpose, you can order a side shield of plastic strips from Biddle.

- Position the row of units centrally in relation to the doorway.
- Units of different widths can be positioned in random order.
- Make sure that the inspection and intake sides of the units remain accessible for maintenance.



Warning:
Make sure that all units can freely take in and blow out air across their entire width.

2.4.3 Hanging the unit up

Perform the following actions for each unit:

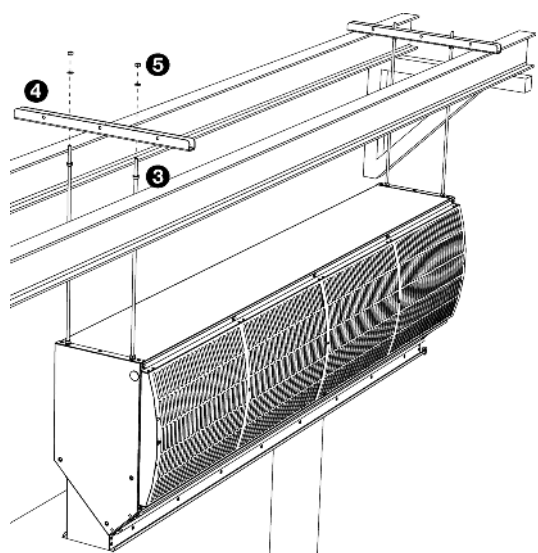
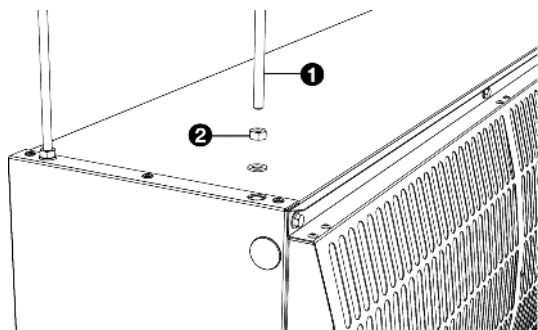
1. Lay the unit in a horizontal position.
2. Fit threaded rods **1** (M8) in all screw holes on the top of the unit.
3. Provide all threaded rods with lock nuts **2**, and tighten them.

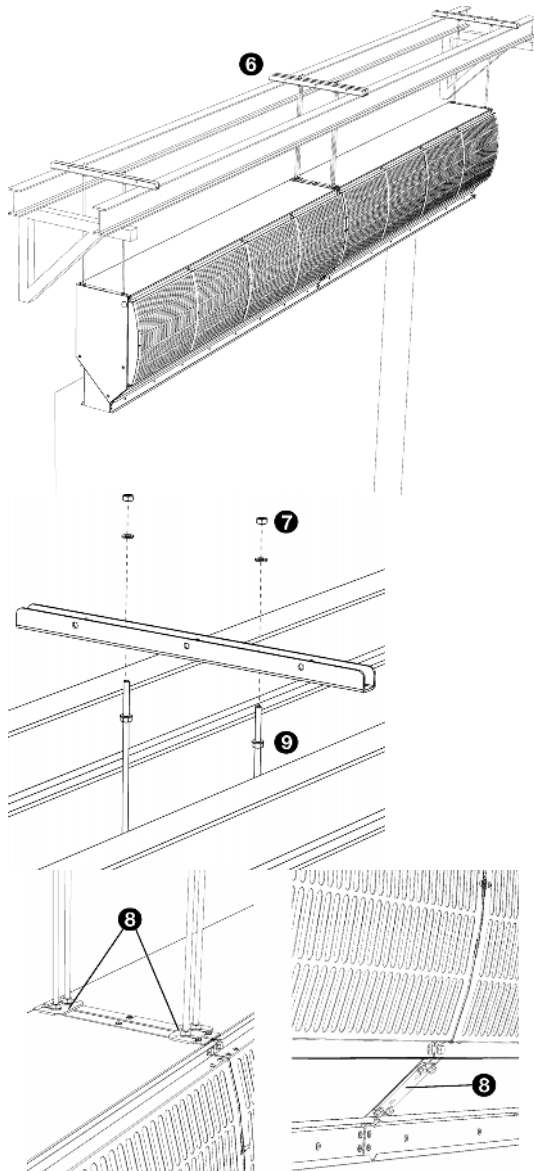


Note:

The threaded rods must be secured, otherwise the unit may fall down.

4. Provide all threaded rods with lock nuts **3**.
5. Bring the unit into position using lifting equipment.
6. Put the suspension rails **4** on the auxiliary structure, and fasten them with nuts **5** to the threaded rods of the unit.
7. Allow the unit to hang freely.





2.4.4 Adjusting and securing

1. Position the units against one another, in one line, by placing the suspension rails ⑥ against one another.
2. Attach the suspension rails to the auxiliary structure.



Warning:

Make sure that the suspension rails can never come loose from the auxiliary structure.

3. Adjust the units to the same height, and level them by tightening the nuts ⑦.



Caution:

Ensure that the units are hanging level and horizontal in both directions. Otherwise the fans may run out of true.

4. Secure the suspension to the threaded rods by tightening the lock nuts ⑨.



Warning:

The threaded rods must be secured, otherwise the unit may fall down.

5. You can possibly fasten the units to each other, using the brackets and the coupling plate ⑧.



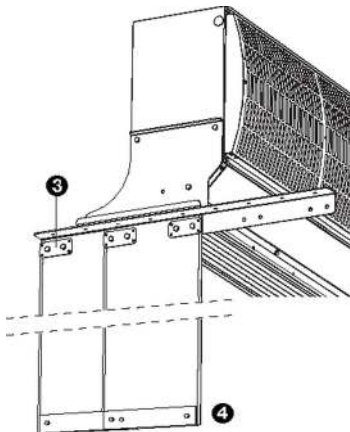
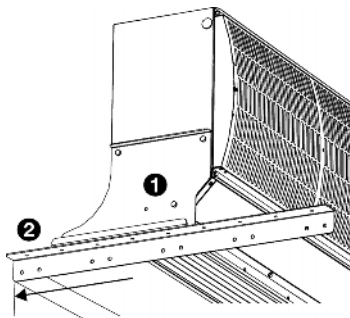
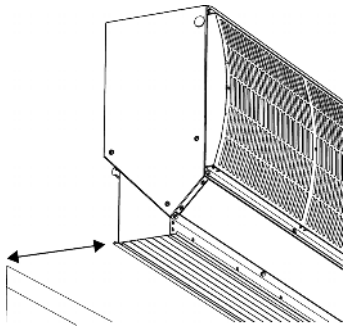
Caution:

First position the units independently of each other, so that no force is exerted on the coupling elements.

2.4.5 Installing side shield

For optimum operation, the unit's discharge opening must be placed as close as possible to the door opening. If the distance is greater than 5 cm., you are advised to seal off the openings at the side.

For this purpose, you can order a side shield of plastic strips from Biddle.



1. On both sides of the unit, mount a side plate ❶.
2. To each side plate, fasten an angle profile, reaching to the wall ❷.
3. Cut the plastic strips to size.
4. Fasten the strips to the suspension system ❸.
5. Fasten the steel plates at the bottom of the strips ❹.

2.5 Installing the control box

2.5.1 Mounting and connecting the control box



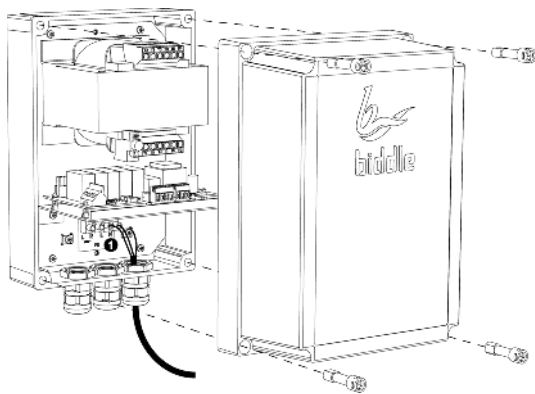
Warning:
Make sure that the mains supply group with which you are working has been turned off.



Warning:
The unit must be earthed.



Caution:
When installing the unit, use the wiring diagram supplied.



1. Fasten the control box near to the unit.
2. Open the control box:
 - Remove the 4 screws.
 - Remove the cover.
3. Lay the cable between the control box and the unit.
4. Connect the cable to the control box:
 - Fit a cable gland for pull relief.
 - Lead the cable into the control box.
 - Connect the cable to terminal block X20 ❶, in accordance with the wiring diagram.



Warning:
Connect the earth wire to the screw in the control box.



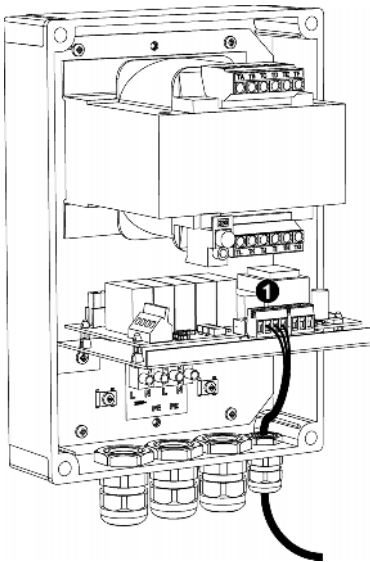
Note:
Do not close the control box yet.

Connecting multiple control boxes

A maximum of 8 fans can be connected to 1 control box. This corresponds with a maximal total unit length of 4m.

In the case of a longer array of multiple control boxes, create a continuous connection to utilize the same door contact switch and, if used, the same room thermostat:

1. Lay the cable between the two control boxes.
2. Connect the cable to the control boxes:
 - Drill an extra aperture in both control boxes.
 - Fit cable glands for pull relief.
 - Lead the cable into the control boxes.
 - In both control boxes, connect the cable to terminal block X4 ❶, in accordance with the wiring diagram.



Warning:
Connect the earth wire to the screw in the control box.

2.5.2 Connecting the control box to the unit



Warning:
The unit must be earthed.

1. Remove the inlet grille ❶.



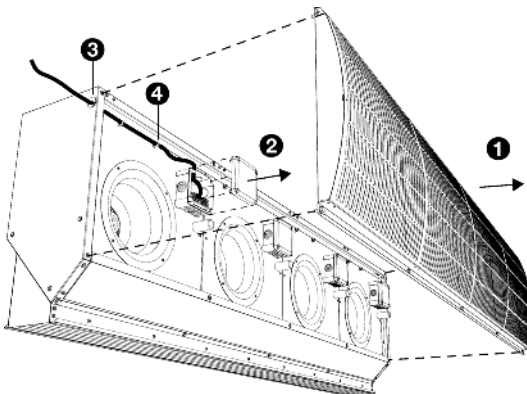
Note:
In the event of multiple units, remove the inlet grille of each unit.

2. Remove the cover of the first terminal box ❷, depending on the side through which you lead the cable into the unit.



Note:
You may lead the cable inward through either end of the row of units, as you choose.

3. Lead the cable into the unit.
 - In the feed-through hole to be used ❸, fit a cable gland for pull relief.
 - Fasten the cable to the edge inside the unit, using the cable clips ❹.



Warning:
Do not allow the cable to lie or hang loosely.

4. Make the grommets in the terminal boxes to measure.



Caution:

Ensure that the grommets fit so tightly around the cable that they remain watertight.

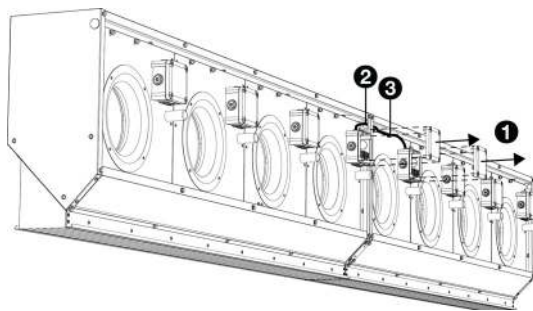
5. Lead the cable into the terminal box.
6. Connect the cable to terminal block X30, in accordance with the wiring diagram.

Connecting multiple units



Caution:

A maximum of 8 fans can be connected to 1 control box. This corresponds with a maximal total unit length of 4m.



1. Remove the covers of the two adjoining terminal boxes ① of both units.
2. Lay the cable between the terminal boxes.
 - In the feed-through hole to be used ②, fit a cable gland for pull relief.
 - Fasten the cable to the edge inside the unit, using the cable clips ③.



Warning:

Do not allow the cable to lie or hang loosely.

3. Make the grommets in the terminal boxes to measure.

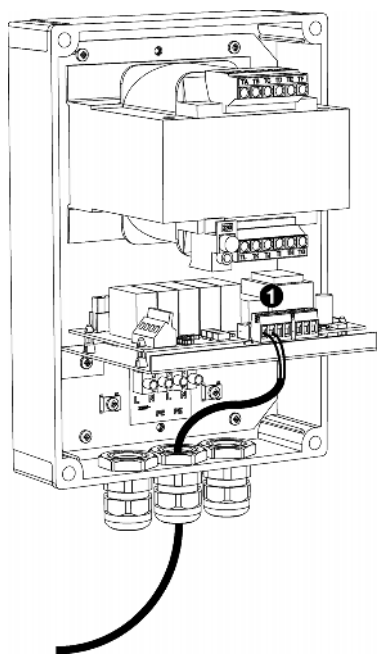


Warning:

Ensure that the grommets fit so tightly around the cable that they remain watertight.

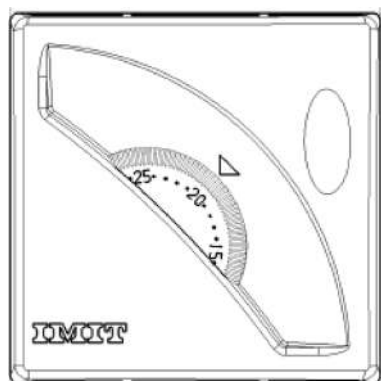
4. Lead the cable into both terminal boxes.
5. Connect the cable in both units to terminal block X30, in accordance with the wiring diagram.

2.6 Installing external controls



2.6.1 Installing door contact switch

1. Mount the door contact switch to the doorframe.
2. Lay the cable between the door contact switch and the control box.
3. Connect the cable to the control box:
 - Fit a cable gland for pull relief.
 - Lead the cable into the control box.
 - Connect the cable to terminal block X4 ❶, in accordance with the wiring diagram.



2.6.2 Installing the room thermostat (accessory)

If the temperature difference between the rooms to be separated can vary, a room thermostat can be connected so that the unit can switch between a low setting and a high setting.

1. Mount the room thermostat in the vicinity of the unit.



Note:

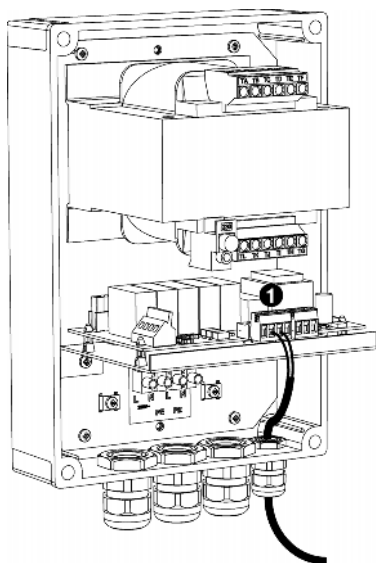
Place the room thermostat in the room where the unit also hangs.

2. Lay the cable between the room thermostat and the control box.
3. Connect the cable to the room thermostat in accordance with the wiring diagram.



Note:

Make sure the room thermostat's adjusting knob is fixed at the set temperature with the red parameter jumpers.



4. Connect the cable to the control box:

- Drill an extra aperture in the control box.
- Fit a cable gland for pull relief.
- Lead the cable into the control box.
- Connect the cable to terminal block X4 ❶, in accordance with the wiring diagram.

2.7 Connecting the mains supply

2.7.1 Special points regarding the mains supply

For all models



Warning:
The unit must be earthed.



Warning:
The unit must be connected in accordance with the applicable local requirements.



Caution:
For emergencies and maintenance, it must be possible to render the entire system electrically dead by means of an isolation switch.



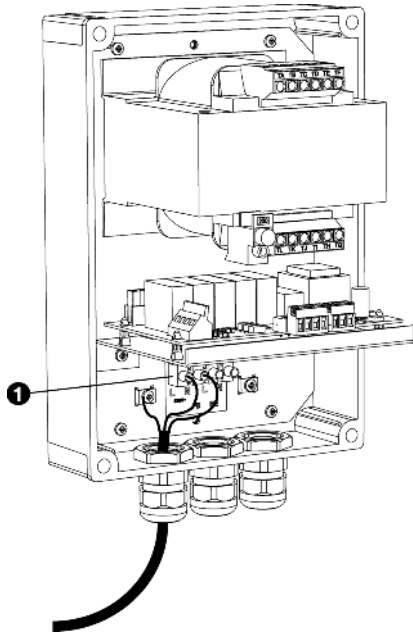
Note:
The control box is equipped with a fuse.

2.7.2 Connecting the mains supply

The mains supply is connected to the control box.



Warning:
Make sure that the mains supply is switched off.

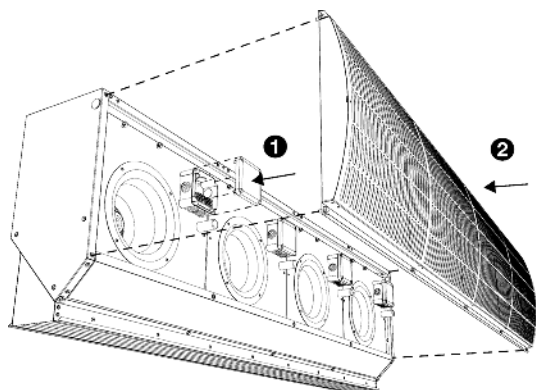


1. Fit an isolation switch between the mains supply and the control box.
2. Lead the mains power cable between the isolation switch and the control box.
3. Connect the cable to the control box:
 - Fit a cable gland for pull relief.
 - Lead the cable into the control box.
 - Connect the cable to terminal block X10 ①, in accordance with the wiring diagram.



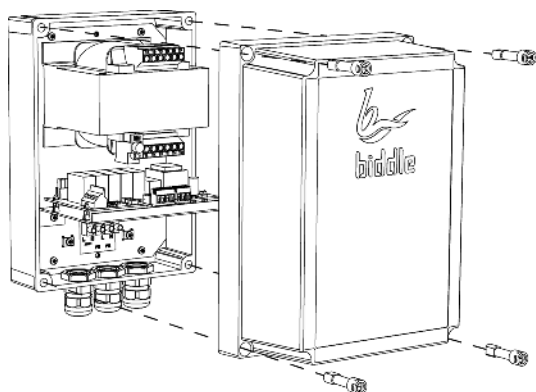
Warning:
Connect the earth wire to the screw in the control box.

2.8 Finishing the unit



Closing the unit

1. Place the covers back on the terminal boxes **1** in order to protect the connections against dirt and water.
2. Put the inlet grilles back into place **2**.



Closing the control box

1. Put the cover back on the control box.
2. Screw down the cover, using the 4 screws.

2.9 Switching on and checking operation

1. Check the following connections:
 - power supply;
 - cable between control box and unit(s);
 - external control components
2. Switch on the mains supply.
3. Check that the fans are running.

3 . . Operation

3.1 General

The unit is set up for the situation concerned at the time of installation. Further control is not necessary during use.

If the unit is not working properly, consult chapter [4 Errors](#).

4. . Errors

4.1 Resolving simple problems

If you suspect an error, first try to resolve the problem, using the table below. You do not have to be an expert for this.

If this fails to resolve the problem, there may be a fault; in that case, alert the installer.

PROBLEM	PROBABLE CAUSE	WHAT TO DO
The unit does not work.	The unit has not been switched on.	Turn the unit on.
	The unit has no power supply.	Check the mains supply: <ul style="list-style-type: none"> • isolation switch, • unit has power.
	The unit has been switched off by external control components.	Check external control components, if present: <ul style="list-style-type: none"> • door contact switch
The unit is not discharging much air. (The draught)	The inlet and/or discharge section becomes blocked.	Remove obstacles to the inlet and discharge section.
	The unit is not set properly.	Consult your advisor.

5 . . Maintenance

5.1 Cleaning the unit

You can clean the inside and the outside of the unit with water and household cleaning products. Do not use any solvents.

The fans too can be cleaned with water.



Warning:
No water under high pressure may be sprayed onto the fans or the terminal boxes.

5.2 Scheduled maintenance

5.2.1 Monthly maintenance

With all units:

- Check the fans for dust and other dirt; if necessary, clean.
- Check that all fans work.
- Check the discharge section for pollution/dirt and/or blockage; if necessary, clean.

See also:

5.1 "Cleaning the unit" on page 25

5.2.2 Annual maintenance

With all units:

- Carry out all monthly checks.
- Check the cabling between the terminal boxes in the units and the control unit.
- Inspect the casing, the suspension or mounting structure, and the securing of each unit.
- Check whether the fans are firmly attached and are not running out of true; if necessary, fasten them again.

6. . Service

6.1 Safety instructions



Warning:
Servicing activities may only be carried out by personnel who are technically qualified to do so.



Warning:
Before you begin: read the safety instructions.

See also:

1.5 "Safety instructions" on page 8

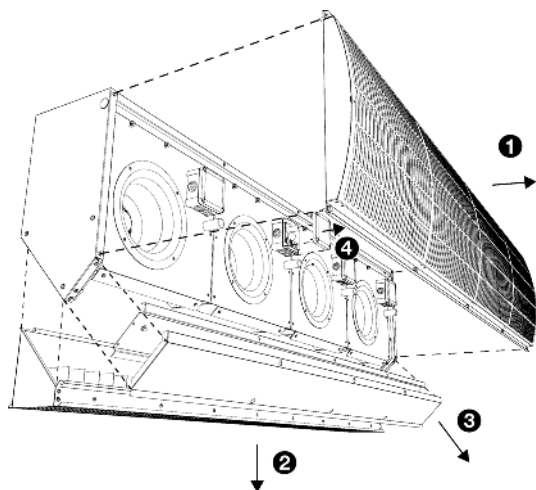
6.2 Replacing a fan box



Warning:
Shut off the mains supply.



Note:
In order to remove one of the outermost fan boxes, the adjacent fan box must first be removed.

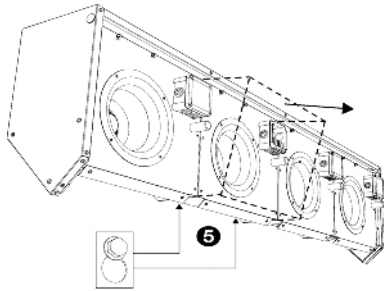


1. Open the unit:

- Remove the inlet grille ❶.
- Remove the discharge grille ❷.
- Remove the base plates ❸.

2. Disconnect the fan box that is to be removed:

- Remove the cover from the terminal box ❹.
- Disconnect the wiring



3. Unscrew the fan box ⑤.
4. Lift the fan box out of the unit.
5. Position the new fan box.
6. Secure the new fan box with screws.
7. Connect the new fan box:

- Make the grommets in the terminal boxes to measure.

**Warning:**

Ensure that the grommets fit so tightly around the cable that they remain watertight.

- Lead the cable into the terminal box.
- Connect the cables to the terminal block in accordance with the wiring diagram.

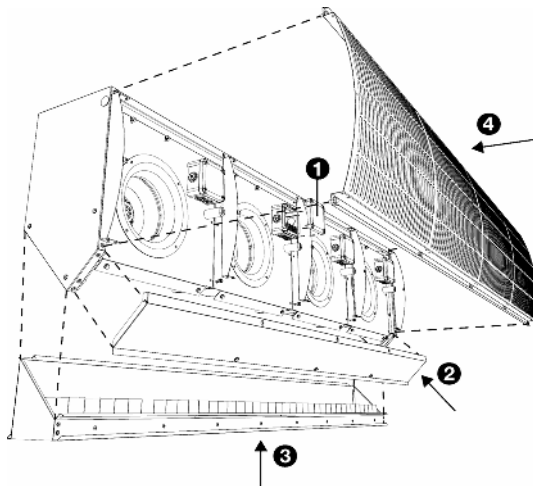
**Warning:**

Keep the length of the cables as short as possible.

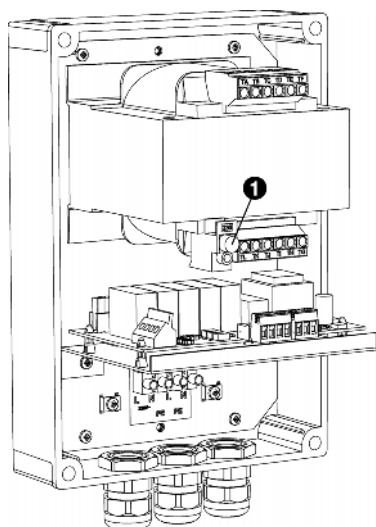
8. Close the unit:

- Place the covers back on the terminal box ①, in order to protect the connections against dirt and water.
- Fasten the base plates ②.
- Fasten the discharge grille ③.
- Fasten the inlet grille ④.

9. Switch on the mains supply.



6.3 Fuses



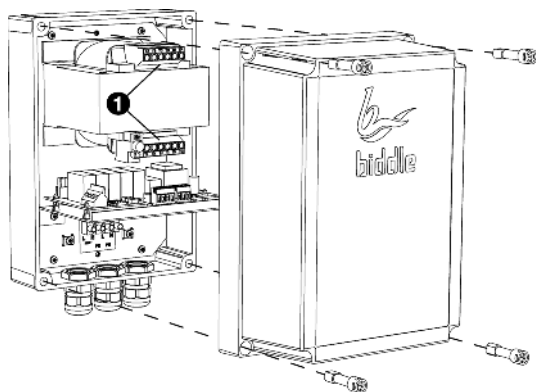
The control box is equipped with a fuse ❶.

The value is indicated on the fuse.

6.4 Adjusting modes

6.4.1 Adjusting branches

The unit is configured for the situation for which it was purchased. If the situation changes, the modes can be adjusted accordingly.



1. Consult your Biddle advisor about the optimum modes for your specific situation.
2. Open the control box.
3. Connect the wire marked number 2 to the branch ❶ that belongs with the low mode.
4. Connect the wire marked number 3 to the branch that belongs with the high mode.



Note:

If there is already a wire in the branch, move this to another branch of your choice.

6.4.2 Adjusting room thermostat

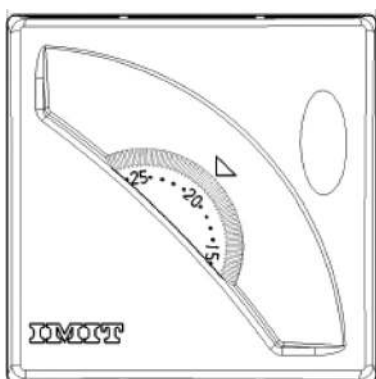
The room thermostat determines at which temperature of the front hall the unit will switch between the low mode and the high mode.



Note:

If the temperature in the front hall is lower than the set temperature, the unit will operate in the low mode.

If the temperature in the front hall is higher than the set temperature, the unit will operate in the high mode.



1. Consult your Biddle advisor about the optimum setting of the room thermostat for your specific situation.
2. Open the room thermostat.
3. Find the recommended temperature

on the white outer edge of the knob and turn the knob so that the temperature is at the boundary pin.



Note:

Use the small white numbers on the outer edge, not the big gray numbers.

4. Fix the button by placing the red jumpers to the immediate left and right of the recommended temperature.
5. Close the room thermostat.



Note:

Make sure the recommended temperature now is at the arrow.

7 . . Dismantling

The dismantling of the installation and the handling of the coolant, oil and other components must be carried out by a qualified fitter in accordance with the relevant local and national legislation and regulations.

Pursuant to EU legislation, used electrical and electronic appliances must be collected for recycling. By ensuring that this product is disposed of in the correct manner, you are helping to prevent potential negative consequences for the environment and public health. For more information about this, please contact your supplier or the relevant government authority.

8 . . Addresses

If you have any comments or queries relating to this product, please do not hesitate to contact your Biddle branch.

Biddle bv

P.O. Box 15
9288 ZG Kootstertille
The Netherlands

T +31 (0)512 33 55 55

E info@biddle.nl

I www.biddle.nl

Biddle Air Systems Ltd.

St. Mary's Road, Nuneaton
Warwickshire CV11 5AU
United Kingdom

T +44 (0)24 7638 4233

E sales@biddle-air.co.uk

I www.biddle-air.com

Biddle France

21 Allée des Vendanges
77183 Croissy Beaubourg
France

T +33 (0)1 64 11 15 55

E contact@biddle.fr

I www.biddle.fr

▶ N°Vert 0 800 24 33 53

▶ N°Vert 0 800 BI DD LE

Biddle nv

Battelsesteenweg 455 B
2800 Malines
Belgium

T +32 (0)15 28 76 76

E biddle@biddle.be

I www.biddle.be

Biddle GmbH

Emil-Hoffmann-Straße 55-59
50996 Cologne
Germany

T +49 (0)2236 9690 0

E info@biddle.de

I www.biddle.de

. . . Keywords

A

- accessories 7
- addresses 33
- adjusting modes 28
- application limits 6

C

- CE declaration 6
- cleaning 25
- connecting control boxes 16
- connecting units 17
- control box 15

D

- delivery inspection 9
- designations 3
- determine location 11
- dismantling 31
- door contact switch 18

E

- errors 24

F

- finishing the unit 22
- fuse 28

I

- installation 9
 - external controls 18

L

- length 5

M

- mains supply 20
- maintenance 25
- models 5
- modifications 6

O

- operation 5, 23

P

- power 6
- power supply voltage 6
- problems 24
- product series 5

R

- replacing fan 26
- room thermostat 18

S

- safety instructions
 - installation 8, 9
 - maintenance 8
 - service 8, 26
 - usage 8
- service 26
- side shield 14
- suspension 11, 12
- switching ON 22
- symbols 3, 4

T

- The 5
- type code 5
- type designation 5
- type plate 6
- typecode 5

W

- wiring diagram 4
- working method 10

Copyright and Trademarks

All information and drawings contained in this manual are the property of Biddle and may not be used (other than for the purpose of unit operation), photocopied, reproduced, translated and/or communicated to third parties without prior written permission from Biddle.

The name Biddle is a registered trademark of Biddle bv.

Warranty and liability

For the warranty and liability provisions and terms, please refer to the terms & conditions of sale and supply.

At all times, Biddle shall not be held liable for consequential damages.

Liability as regards the manual

Although great care has been taken to ensure the correct and, where necessary, complete description of the relevant components, Biddle shall not be held liable for damages as a consequence of errors and/or imperfections in this manual.

Biddle reserves the right to alter the specifications as mentioned in this manual.

Should you nevertheless discover any errors or ambiguities in the manual, we shall be glad to learn that from you. It helps us to improve the documentation still further.

For more information

If you have any comments or queries relating to this product, please do not hesitate to contact Biddle. You will find the contact information for your Biddle branch in chapter [8 Addresses](#).

Biddle bv
P.O. Box 15
9288 ZG Kootstertille
The Netherlands

T +31 (0)512 33 55 55
E info@biddle.nl
I www.biddle.nl

Name and telephone number of installer: