

# Mod. 890 BT



# Mod. 890 BT

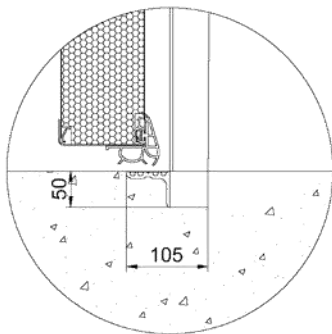
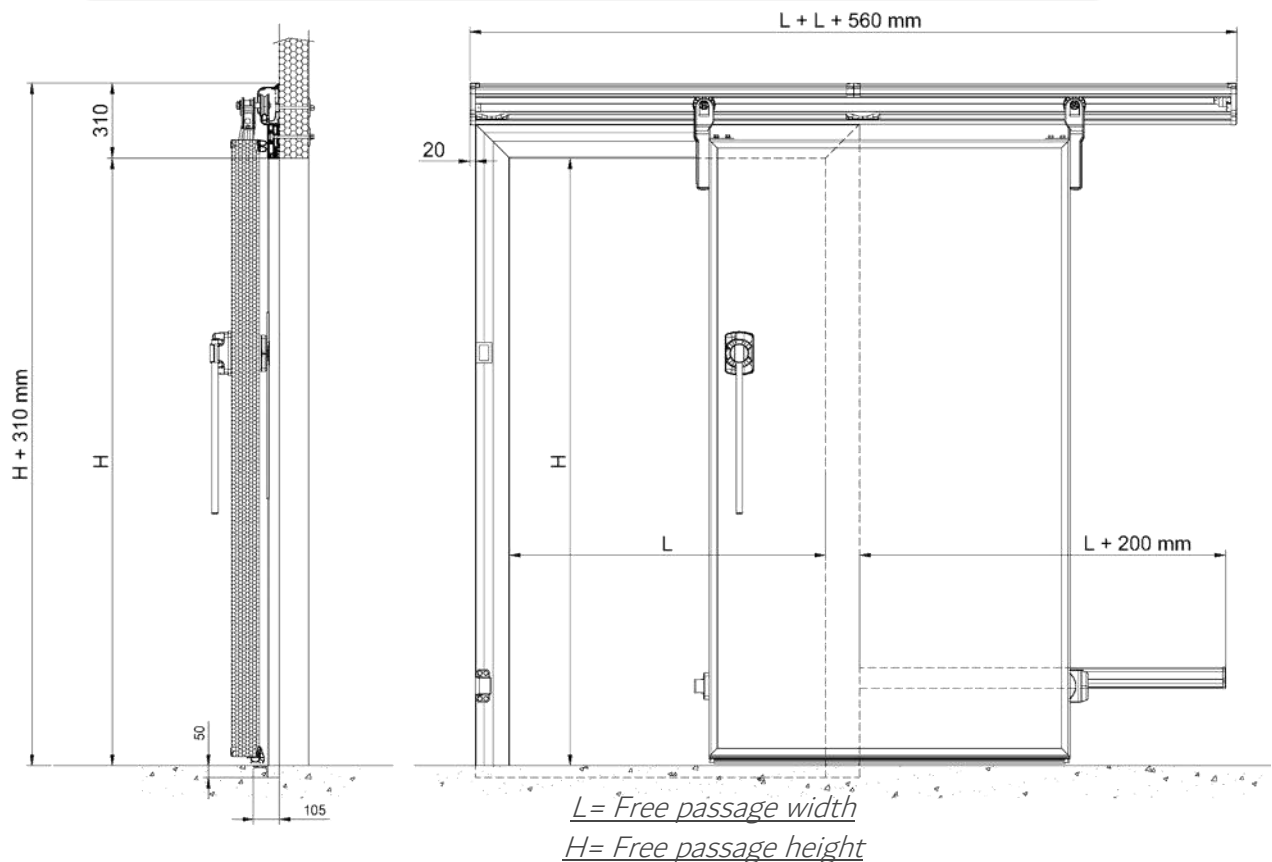


U=1,0 W/m<sup>2</sup> \* K tested by:

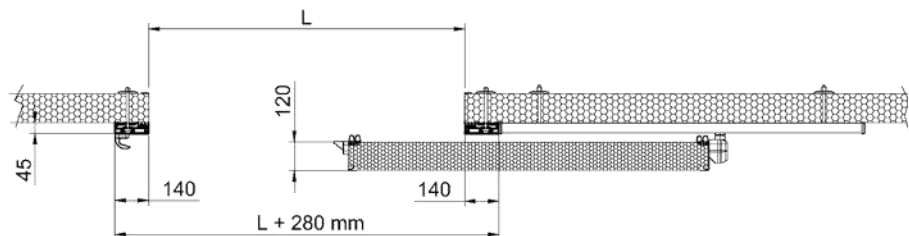


ISTITUTO  
GIORDANO  
Qualità al Plurale.

# Mod. 890 BT



*Threshold «FP»*



## TECHNICAL FEATURES

- 90mm or 120 mm thick aluminum door leaf
- Internal and external coating in white plastic coated metalsheet Similar Ral 9003
- Lower and perimetral EPDM gasket
- Front fixing PVC flat frame (mm 140) (optional with connecting sheet)
- Door leaf injected with polyurethane foam "PUR" CFC free
- Heating cable apply into the frame or into the gasket