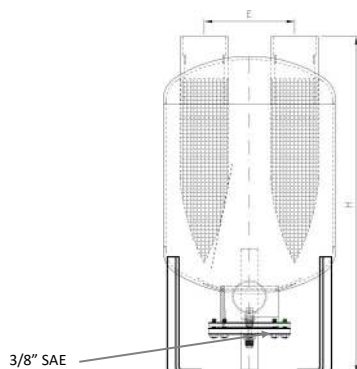


31 bar -10/120°C			Kg	V (L)		Dimensions Dimensiones (mm)			Capacity Kw at Evap. Temp.°C Capacidad Kw a Temp. Evap. °C			
				Va	Vt	Ø	H	d	R134a		R404A/507	
CAT. I	SA-5 1 5/8"	52.005	12	5	7.5	159	641.5	163	37	45	53	68
CAT. I	SA-5 2 1/8"	52.006	12	5	7.5	159	641.5	163	60	73	85	109

CO ₂ R410A 45 bar -10/100°C			Kg	V (L)		Dimensions Dimensiones (mm)			Capacity Kw at Evap. Temp.°C Capacidad Kw a Temp. Evap. °C	
				Va	Vt	Ø	H	d	R410A	
CAT. I	SA-5-45bar 1 5/8"	52.007	12	5	7.5	159	641.5	163	28	31
CAT. I	SA-5-45bar 2 1/8"	52.008	12	5	7.5	159	641.5	163	31	37

Va : Oil Separator Volume / Volumen Separador de aceite

Vt : Total Volume = Va + Oil Receiver Volume /Volumen Total=Va + Volumen Recipiente de Aceite



31 bar -10/120°C			Kg	V (L)		Dimensions Dimensiones (mm)			Capacity Kw at Evap. Temp.°C			
				Va	Vt	Ø	H	d	R134a		R404A/507	
CAT. I	SA-8 1 5/8"	52.001	16	8	11	219	488	114	48	60	66	88
CAT. I	SA-8 2 1/8"	52.002	16	8	11	219	484	114	73	88	98	128
CAT. I	SA-13 2 5/8"	52.003	20	13	20	273	562	114	129	160	168	237
CAT. II	SA-25 3 1/8"	52.004	26	25	31	323	636	170	182	222	252	330

CO ₂ R410A 45 bar -10/100°C			Kg	V (L)		Dimensions		
				Va	Vt	Ø	H	d
CAT. I	SA8-45bar 1 5/8"	52.009	18.5	8	11	219	488	114
CAT. I	SA8-45bar 2 1/8"	52.010	18.5	8	11	219	484	114
CAT. I	SA13-45bar 2 5/8"	52.011	23	13	20	273	562	114
CAT. II	SA25-45bar 3 1/8"	52.012	30	25	31	323	636	170

SPARE FLANGE - FLOAT REPUESTO BRIDA - BOYA (O-RING INCLUDED / JUNTA INCLUIDA)	A-004156
---	----------



ALL THE MODELS ARE PAINTED IN BLACK
TODOS LOS MODELOS SON PINTADOS EN NEGRO

