

## Nicab Flex®

Nicab Flex® is a new kind of butterfly valve where flexibility has been of great importance to make it suitable for most applications.



## Nicab Flex® - Motorised butterfly valve (PN16)

Nicab Flex is a butterfly valve suitable for continuous control of brine, water, air and low-pressure steam (up to 110 °C) or for use as a shut-off valve.

The valve is combined with an electric actuator, 230V (standard) or 24V (option).

2/3-point control is standard but you can also get the actuator with 0...10V control.

The butterfly valve can also be combined with an actuator with spring return for quick opening/closing.

Potential-free contacts and potentiometer is available as accessories.

Art. No	Description	DN	Connection	Kvs m3/h	Δp bar	Power supply	Running time (sec)	Weight (kg)
Flex025	Motorised butterfly valve	25	PN 6/10/16	36	10	230V (24V)	120 sec	1,5
Flex032	Motorised butterfly valve	32	PN 6/10/16	40	10	230V (24V)	120 sec	1,65
Flex040	Motorised butterfly valve	40	PN 6/10/16	50	10	230V (24V)	120 sec	3,25
Flex050	Motorised butterfly valve	50	PN 6/10/16	85	10	230V (24V)	120 sec	3,5
Flex065	Motorised butterfly valve	65	PN 6/10/16	215	7	230V (24V)	120 sec	4,5
Flex080	Motorised butterfly valve	80	PN 6/10/16	420	4	230V (24V)	120 sec	5
Flex100	Motorised butterfly valve	100	PN 6/10/16	800	2	230V (24V)	120 sec	5,5
Flex125	Motorised butterfly valve	125	PN 6/10/16	1010	7	230V (24V)	120 sec	8
Flex150	Motorised butterfly valve	150	PN 6/10/16	2100	6	230V (24V)	N/A	10,5
Flex200	Motorised butterfly valve	200	PN 6/10/16	4000	3	230V (24V)	N/A	13

### Technical data, actuator

Power supply	230V~, +/- 15%, 50...60 Hz	Permissible ambient temp.	-20...55 °C
	24V~, +/- 20%, 50...60 Hz		Permissible ambient humidity
Power consumption			without condensation
	Running	230V~, ca 5,6 VA	Degree of protection
Idle	24V~, ca 2,4 VA	Protection class 230V	II as per IEC 60730
	230V~, ca 5,1 VA	24V	III as per IEC 60730
Angle of rotation	24V~, ca 0,4 VA	Noise while running	< 30 dB(A)
	90°		

### Technical data, butterfly valve

Nominal pressure	PN 16
Max. perm. oper. pressure	16 bar
Control characteristic	Linear
Angle of butterfly rotation	90°
Lekage rate	0,001% av kvs värde
Perm. operating temp.*	-10...130 °C

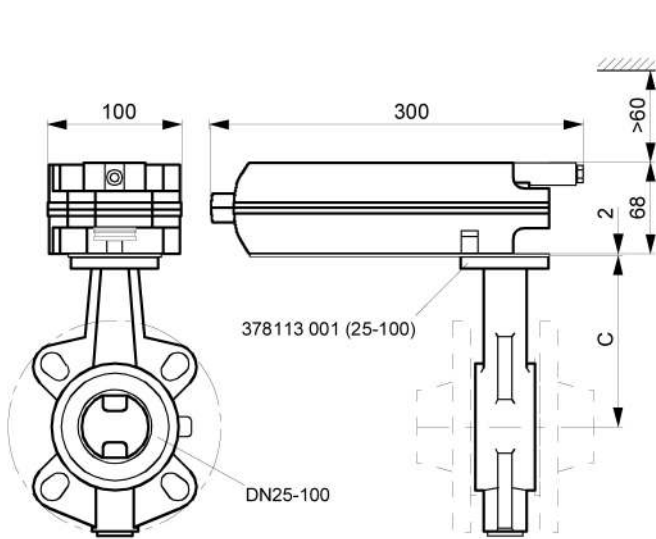
### Additional information:

Damper body made of cast iron, collar made of ethylene-propylene rubber, wafer made of stainless steel, spindle in stainless steel sealed with two o-rings.

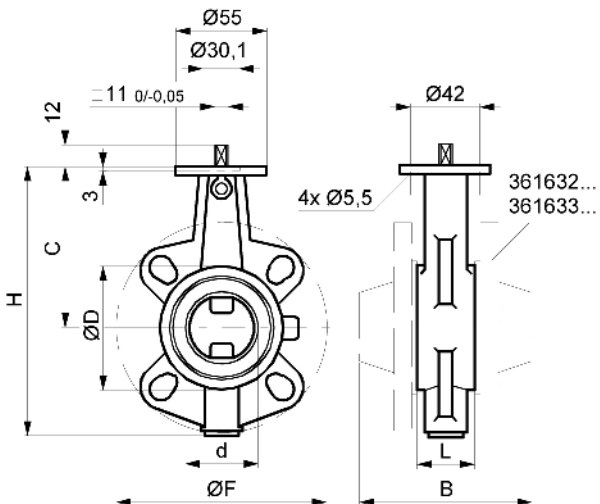
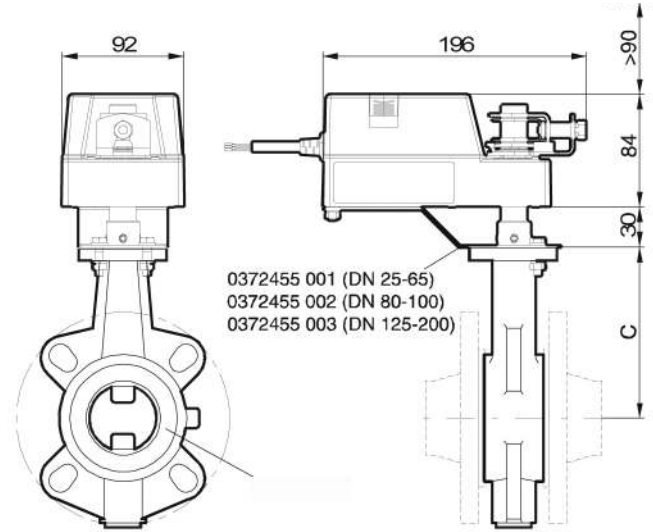
\* Lower temperatures can be achieved with the use of a heating cable. Contact FlowControl for further information.

## Dimension drawings

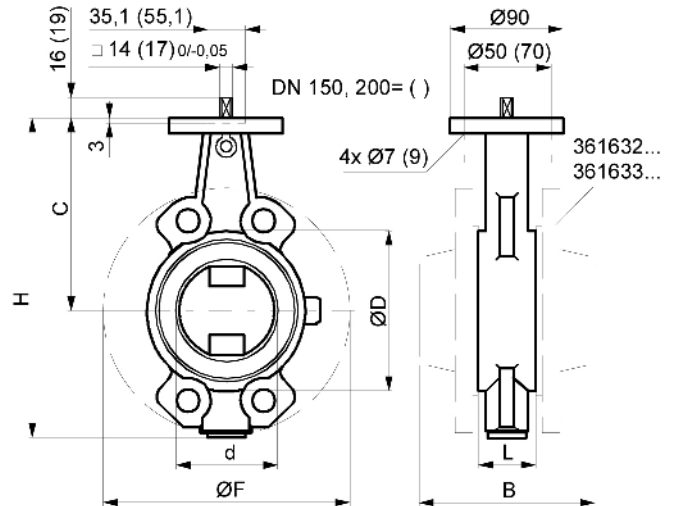
Butterfly valve with actuator for spring return (ASF)



Butterfly valve with standard actuator (ASM 230V/24V)



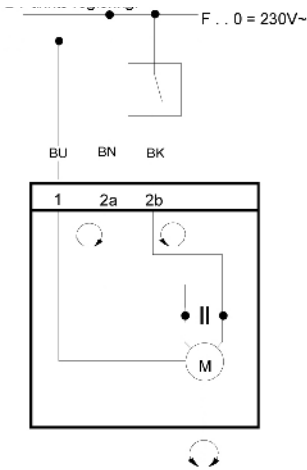
DN	d	C	H	L	ØD	B			
						PN6	PN10/16	PN6	PN10/16
25	32	104	149	33	64	103	109	100	115
32	32	104	154	33	69	103	113	120	140
40	40	113	178	33	82	109	117	130	150
50	50	126	209	43	95	119	133	140	165
65	62	134	226	46	115	122	136	160	185



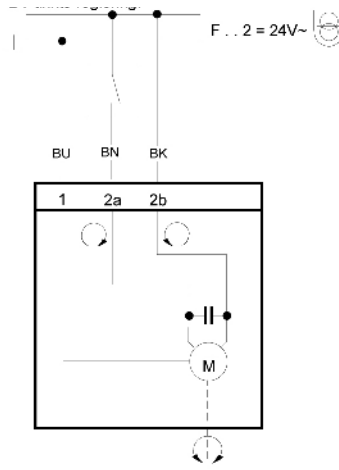
DN	d	C	H	L	ØD	B			
						PN6	PN10/16	PN6	PN10/16
80	78	157	260	46	138	130	146	190	200
100	98	167	281	52	158	142	156	210	220
125	123	180	306	56	188	152	166	240	250
150	147	203	355	56	212	152	166	265	285
200	197	228	403	60	250	170	182	320	340

## Fitting instructions

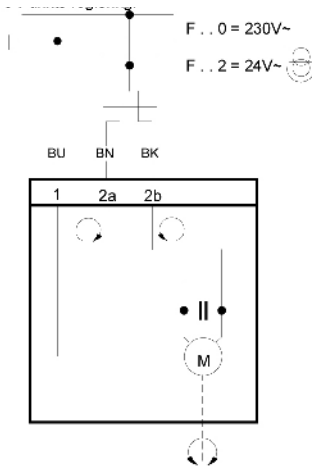
2-point control (230V)



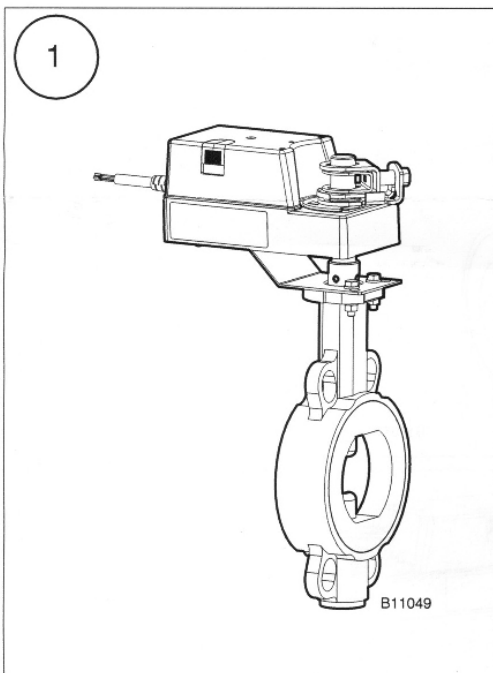
2-point control (24V)



3-point control (230V / 24V)



BU = Blue (Neutral)  
BN = Brown  
BK = Black



The butterfly valve is installed by clamping and then screw-mounting the unit between two flanges the butterfly must be opened at least 10% during installation. Flow admission is possible from either side. Do not use any extra gaskets. Do not mount the butterfly valve with the actuator below the horizontal line (see picture 2). In the event of a power-loss the actuator can be manually maneuvered (see picture 3).

